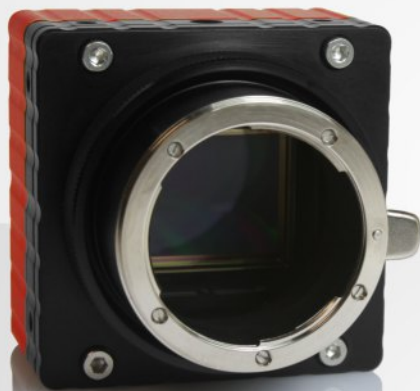


# Flare™

## 48MP CAMERAS



CoaxPress

### Video cameras with CMOSIS CMV50000 Sensors

#### APPLICATIONS

Automated Inspection

Aerial Imaging and Mapping

Wide Area Surveillance

Specialty Video Production



#### FEATURES INCLUDE:

- Monochrome and Colour Models
- Global Shutter CMOS with CDS
- CoaxPress Output
- Selectable 8/10/12-bit Data Formats
- Multiple Lens Mount Options
- Compact Size, Low-Power Fanless Design
- Multi-ROI with up to 10 Separate Windows
- Auto Exposure and Auto White Balance

**IOI**  
IO INDUSTRIES

# SPECIFICATIONS

<b>Camera Model</b>	<b>Flare 48MP</b>
<b>Sensor Size (H x V)</b>	7920 x 6004 (47.5MP)
<b>Frame rate (full resolution)</b>	30.9 fps
<b>Optical Format</b>	35mm Full Frame (45.7mm diagonal)
<b>Sensor Type</b>	CMOS w. global electronic shutter
<b>Sensor Options</b>	Monochrome or color (Bayer)
<b>Pixel Size</b>	4.6 x 4.6 $\mu$ m
<b>Dynamic Range / Sensitivity</b>	64 dB, 4 V/lux.s
<b>Output Configurations</b>	1/2/4 links at 2.50Gbps (CXP-2), 3.125Gbps (CXP-3), 5.0Gbps (CXP-5) or 6.25Gbps (CXP-6)
<b>Multiple ROI</b>	Up to 10 separate windows
<b>Pixel Bit Depth</b>	8/10/12-bit
<b>Exposure Control</b>	Trigger width, timed, or auto-exposure control
<b>Image Correction</b>	Black level, row and column-based FPN/PRNU, bad pixel replacement, flat field correction
<b>Color Processing</b>	Auto white balance (tracking or manual), programmable LUTs
<b>Camera Configuration</b>	GenICam or Flare Control software

## Mechanical/Electrical

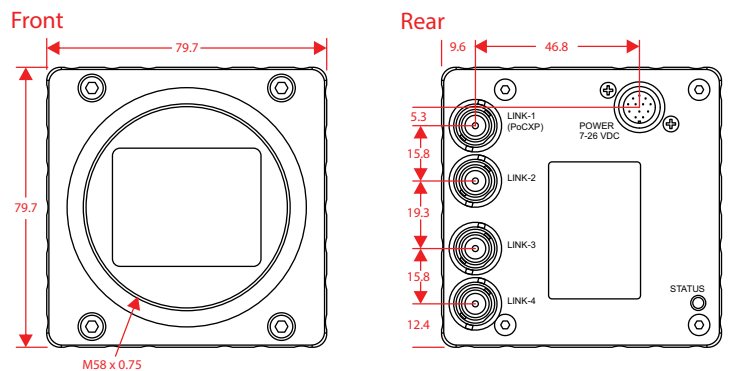
<b>Dimensions</b>	79.7 mm x 79.7 mm x 78.0 mm (WxHxD, with F-mount)
<b>Lens Mount</b>	F-mount, M58 x 0.75, Active Canon EF, others upon request
<b>Weight</b>	610g (with F-mount, no lens)
<b>Power Requirements</b>	7.5W, 7-26V DC via Hirose 12-pin or 24V via PoCXP
<b>Additional I/O (Hirose 12-pin)</b>	TTL-level trigger input/output
<b>Operating Temperature</b>	-30°C to 45°C, 20-85% humidity (non-condensing)
<b>Storage Temperature</b>	-40°C to 85°C, 10-90% humidity (non-condensing)

## ORDERING

Example: 48M30MCX-F

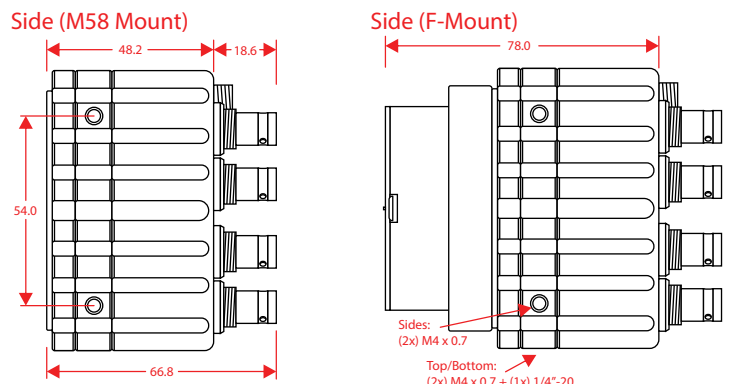
Camera 48M30	Lens Type F - F-mount M - M58 x 0.75 A - Active EF-mount
Sensor Type M - Monochrome C - Color (with IR filter)	Interface CX - CoaXPress

## MECHANICAL DIAGRAMS



## FRAME RATE CHART

Full-Resolution Frame Rate by Connection and Bit Depth	48M30xCX		
	8-bit	10-bit	12-bit
4x CXP-6	30.9	30.9	30.9
4x CXP-5	30.9	30.2	25.6
4x CXP-3	23.5	18.9	16.0
4x CXP-2	18.8	15.2	12.8
2x CXP-6	23.5	18.9	16.0
2x CXP-5	18.8	15.2	12.8
2x CXP-3	11.7	9.5	8.0
2x CXP-2	9.4	7.6	6.4
1x CXP-6	11.7	9.5	8.0
1x CXP-5	9.4	7.6	6.4
1x CXP-3	5.9	4.7	4.0
1x CXP-2	4.7	3.8	3.2



Visit us at: [www.ioindustries.com](http://www.ioindustries.com)  
 15940 Robin's Hill Road  
 London, Ontario, Canada, N5V 0A4  
 Tel: +1 519 663 9570  
 Email: [sales@ioindustries.com](mailto:sales@ioindustries.com)

## LET'S STAY CONNECTED!



@IOINDUSTRIES



@IOINDUSTRIES



@IO-INDUSTRIES

Copyright © 2017 IO Industries Inc. Flare is a trademark of IO Industries.  
 All other trademarks are the property of their respective owners.

Datasheet Rev. 1.3 (06/21/2017)  
 Specifications subject to change without notice