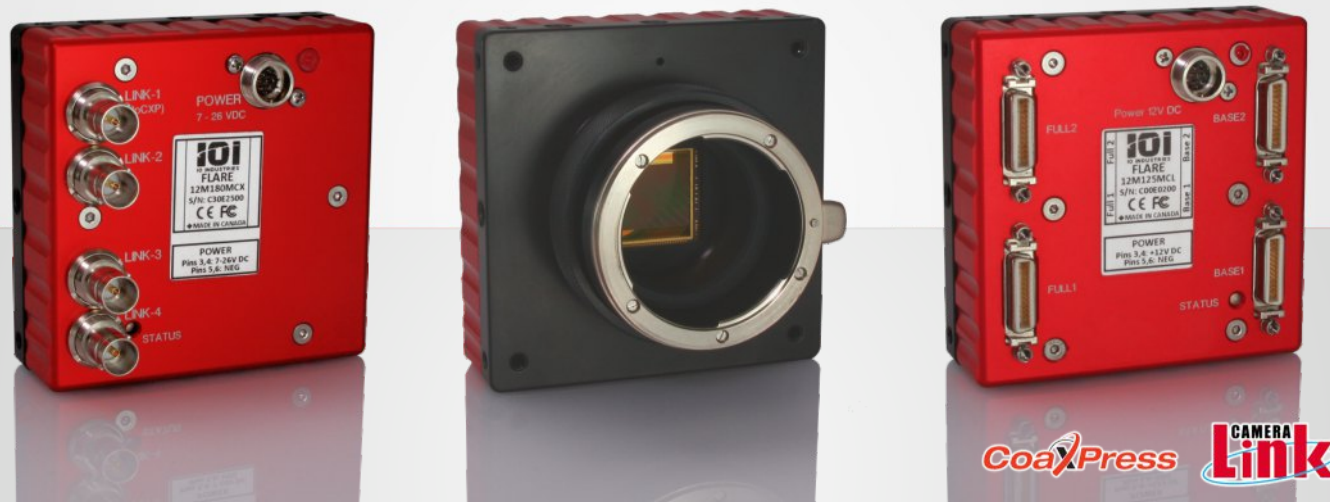


Flare™

12MP CAMERAS



Video cameras with CMOSIS CMV12000 Sensors

APPLICATIONS

Automated Inspection

High Speed Motion Analysis

Research Imaging

Specialty Video Production



FEATURES INCLUDE:

- Monochrome, Colour and Near-IR Models
- Global Shutter CMOS with CDS
- CoaXPress or Camera Link Output
- Multiple Lens Mount Options
- Selectable 8-bit or 10-bit Data Formats
- High Sensitivity with Low Noise
- Advanced Auto Exposure Control
- Auto White Balance

SPECIFICATIONS

Camera Model	Flare 12MP
Sensor Size (H x V)	4096 x 3072
Frame rate (full resolution)	CX: 187 fps (8-bit), 149 fps (10-bit) CL: 124 fps (8-bit), 100 fps (10-bit)
Optical Format	Super 35mm / APS-C (28.1mm diagonal)
Sensor Type	CMOS w. global electronic shutter
Sensor Options	Monochrome, color (Bayer) or NIR-enhanced monochrome
Pixel Size	5.5 x 5.5µm
Dynamic Range / Sensitivity	60 dB, 4.64 V/lux.s
Output Configurations	CX: 1/2/4 links at 3.125Gbps (CXP-3), 5.0Gbps (CXP-5) or 6.25Gbps (CXP-6) CL: Base, Medium, Full, Full 80-bit, Dual Full 80-bit (80MHz Pixel Clock)
Pixel Bit Depth	8-bit or 10-bit
Exposure Control	Trigger width, timed, or auto-exposure control
Image Correction	Black level, row and column-based FPN/PRNU correction, bad pixel replacement
Color Processing	Auto white balance (tracking or manual), programmable LUTs
Camera Configuration	GenICam (CX), ASCII commands (CL), or Flare Control software
Flat Field Correction	Available for CX camera models
Mechanical/Electrical	
Dimensions	91.7 mm x 91.7mm x 74.5 mm (with F-mount)
Lens Mount	F-mount, Active EF-mount, C-mount or T-mount (M42 x 0.75)
Weight	600g (with F-mount)
Power Requirements	CX: 9.5W, 7-26V DC via Hirose 12-pin or 24V via PoCXP CL: 7.5W, 12V DC via Hirose 12-pin
Additional I/O (Hirose 12-pin)	TTL-level trigger input/output, EF-mount lens control interface
Operating Temperature	-30°C to 45°C, 20-85% humidity (non-condensing)
Storage Temperature	-40°C to 85°C, 10-90% humidity (non-condensing)

ORDERING

Example: 12M180MCX-F

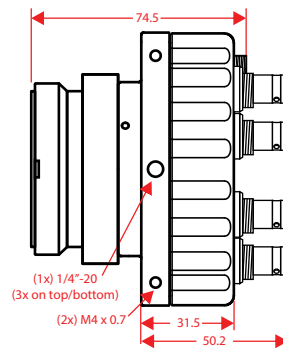
Camera	Lens Type
12M180 (CX)	F - F-mount
12M125 (CL)	C - C-mount
	M - M42 x 0.75
Sensor Type	Interface
M - Monochrome	CX - CoaXPress
C - Color (with IR filter)	CL - Camera Link
N - Near-IR Enhanced Monochrome	

FRAME RATE CHART

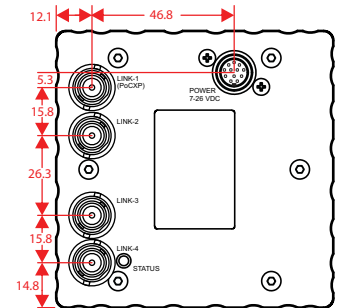
Frame Rates by Resolution and Bit Depth	12M180xCX (4x CXP-6)		12M125xCL (2x Full 80-bit)	
	8-bit	10-bit	8-bit	10-bit
4096 x 3072	187	149	124	100
4096 x 2160 (4K)	266	212	175	141
3360 x 2496	231	184	152	122
2048 x 2048	500	447	370	296
1920 x 1080	935	838	692	555
1000 x 1000	1008	903	924	829
1280 x 720	1384	1242	1268	1139
640 x 480	2032	1827	1863	1677

MECHANICAL DIAGRAMS

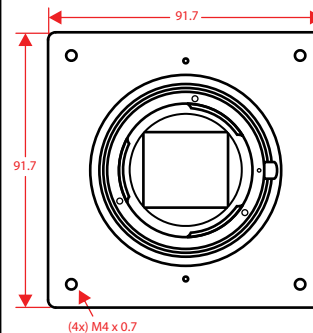
Side (CoaXPress F-Mount Model)



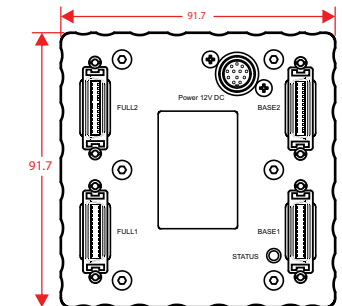
Rear (CoaXPress Model)



Front



Rear (Camera Link Model)



Visit us at: www.ioindustries.com
15940 Robin's Hill Road
London, Ontario, Canada, N5V 0A4
Tel: +1 519 663 9570
Email: sales@ioindustries.com

LET'S STAY CONNECTED!

@IOINDUSTRIES

@IOINDUSTRIES

@IO-INDUSTRIES

Copyright © 2016 IO Industries Inc. Flare is a trademark of IO Industries. All other trademarks are the property of their respective owners.

Datasheet Rev. 3.2 (02/02/2017)
Specifications subject to change without notice